

MULTI-LINE ISOLATOR / ODX DRIVER TYPE LI-4302R, 24-48V Working

DATA SHEET

GENERAL

The LI-4302R Multi-Line Isolation Unit is a four or eight port two wire dial through unit designed for use in conjunction with Customer Premises Equipment which is not capable of meeting the ACA requirements for line isolation and electrical safety.

The LI-4302R provides the appropriate isolation standards and allows connection to the PSTN of otherwise non permitted equipment (subject to the approval of the ACA for the combined LI-4302R and terminal equipment).

The LI-4302R can also be used as an Outdoor Extension (ODX) Driver for PABX and Key Telephone Systems. The LI-4302R regenerates the ringing signal and line feed to the remote equipment to meet the specifications below.

FEATURES

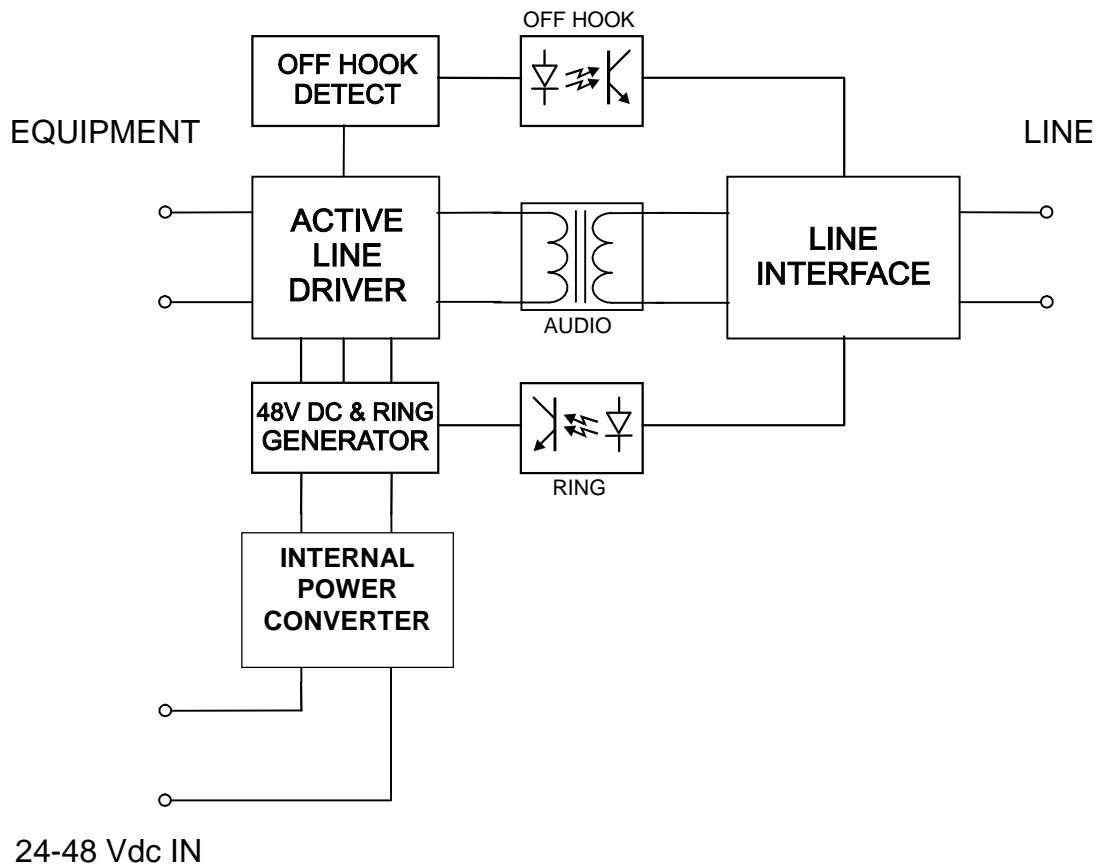
1. Provides the necessary 3.5 kV ac isolation for more than one minute.
2. Provides 48 V line feed to the equipment.
3. Accepts ring voltage on the line side and regenerates ring voltage to the equipment
4. Detects off hook condition and loops the line.
5. Accepts decadic dialing from the equipment and transmits decadic dialing to line.
6. Is capable of transmitting signals across the voice frequency spectrum in both directions including DTMF signals.
7. Standard 19" rack mounting (eight port version).

The LI-4302R is also available in a stand-alone four port version or as a single line stand-alone unit that comes fully equipped with power cord, telephone cord with RJ12 plug attached (other plugs to order) and an RJ 12 modular telephone socket on the equipment side.

SPECIFICATIONS

Isolation	>3.5 kV ac, >5 kV dc
Number of lines	Four, up to eight
Tip and Ring (La & Lb) connection	Pins 3 & 4 on RJ12, equip & line sides
Insertion loss	< 2 dB
Return loss (Terminated at customer end with AUSTEL Reference Impedance)	> 20 dB at 300 Hz > 30 dB from 600 Hz to 3400 Hz
Seizure, hold and pulse dialing current	Complies with AUSTEL Specification TS 002
Pulse dialing response	< 150 micro seconds
Ring detect threshold	20 V rms. @ $\geq 16 \frac{2}{3}$ Hz
Ring output	75 V ac rms. @ 25 Hz superimposed on 48 V dc, at nominal mains (minimum 20 V zero crossing)
Ring transfer response	< 50 milliseconds
Line seizure & decadic dialing detect current	≥ 12 mA (pick up detected at $\leq 2.5k\Omega$ across the line but not at $\geq 10k\Omega$ DC loop resistance).
Output Equivalent Circuit	48V in series with 1200 Ω , current limited to 35→ 40 mA.
Power input	24 – 48Vdc, 2.1mm concentric connector, centre pin positive.
Power Consumption	50 mA @ 48V \approx 2.5 VA maximum per line
Mains cord length	N/A
AUSTEL Certified Component Listing No.	A93/TI/0021
ACA Supplier's Code	N 468
Dimensions (eight port)	19", 2RU: W 440 mm x H 88 mm x D 120 mm
Ordering Code	LI-4302 R (See also part numbers on next page)

BLOCK DIAGRAM



PART NUMBERS

LI-4302R	19" 2RU Sub-rack (card cage for PC-4496 cards)
	PS-4924-5 Power supply card (two included with each LI-4302R eight port version)
LI-4302C	PC-4496-5 Two-Wire dial through Line Isolation card

MADE IN AUSTRALIA

design2000

Est. 1968

DESIGN TWO THOUSAND PTY LTD

TELEPHONE: 03 9758 5933
E-MAIL: gen@design2000.com.au

FACSIMILE: 03 9758 5560
WEBSITE: www.design2000.com.au



N468

